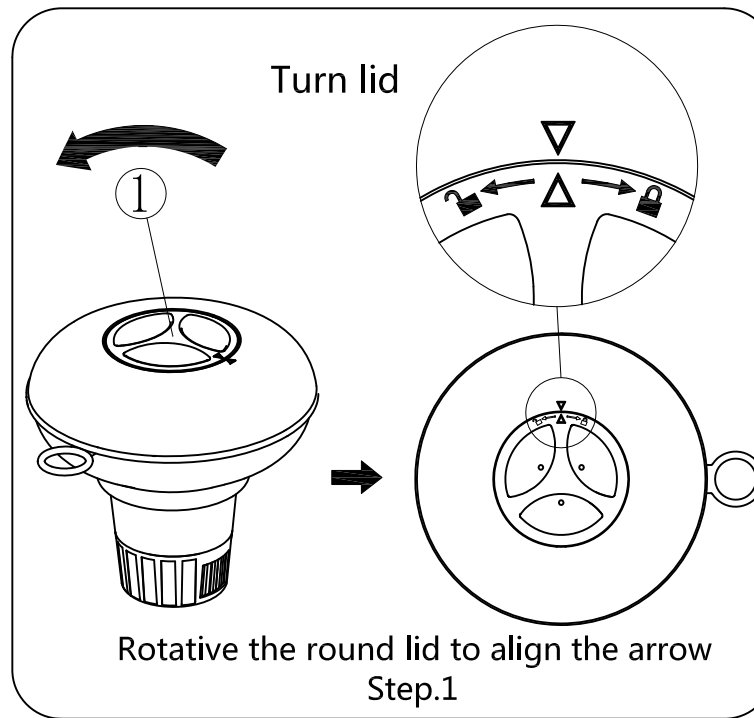
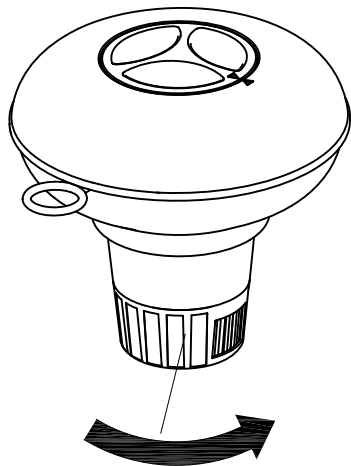
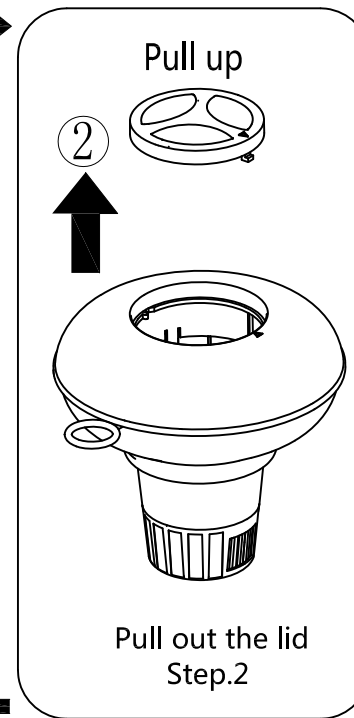


Adjust the chlorine flow  
Rotate the bottom ring to adjust  
the chlorine flow.



OPEN



CLOSE

NOTE: it is a cyclical process to open and close the chlorine flow.

**DANGER** SAVE THESE INSTRUCTIONS

USE ONLY ONE TYPE OF BROMINE OR CHLORINE TABLET IN THIS DISPENSER FIRE AND OR EXPLOSION MAY RESULT FROM COMBINING OR MIXING POOL CHEMICALS. DO NOT COMBINE OR MIX TABLETS OR BRANDS IN THIS FLOATER .

**KEEP OUT OF REACH OF CHILDREN**